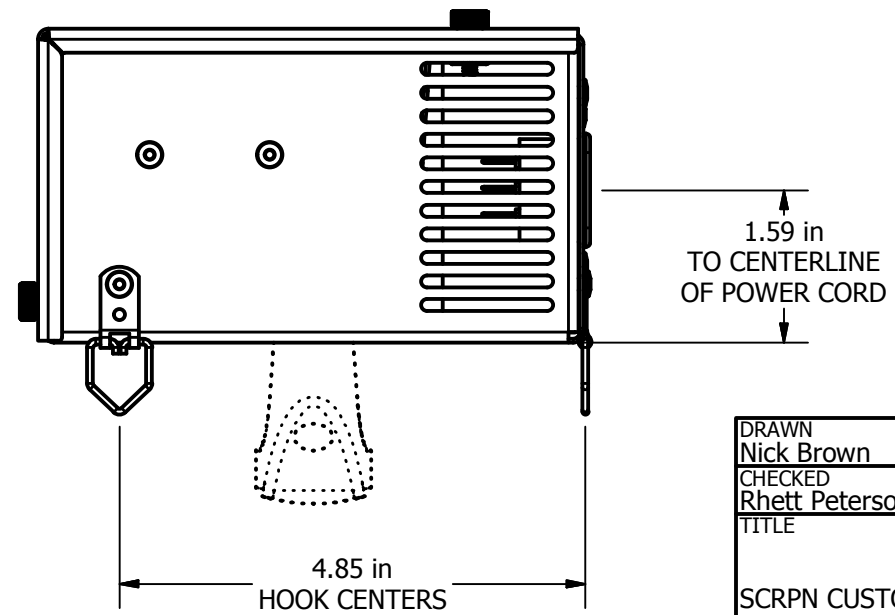
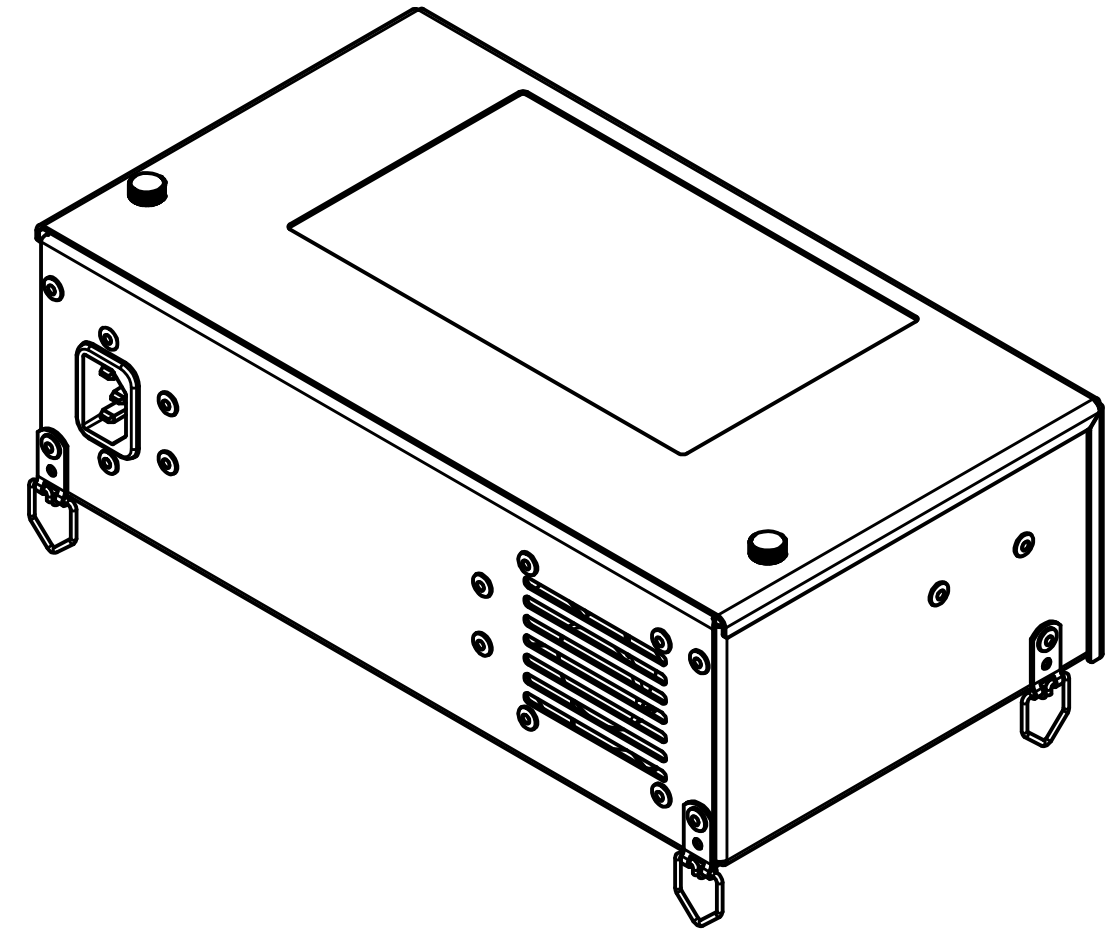
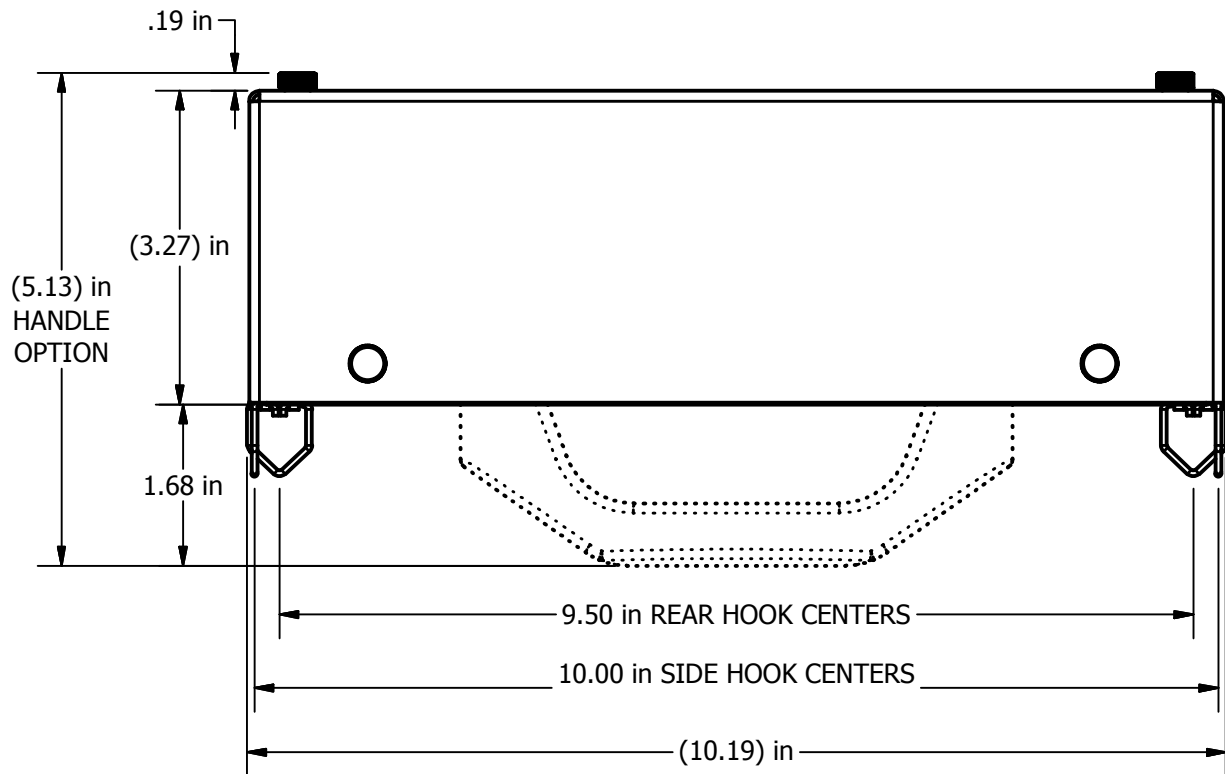
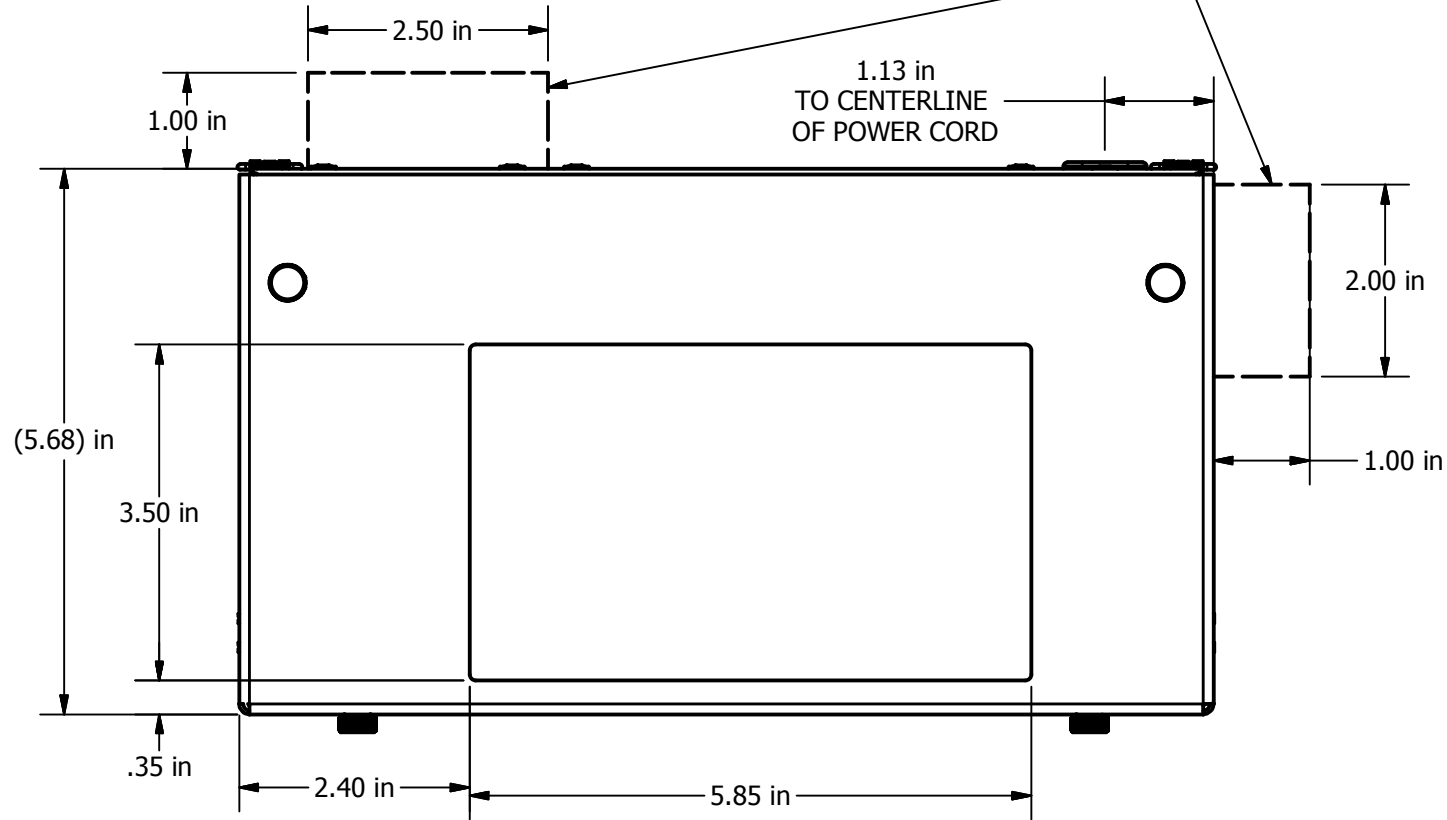
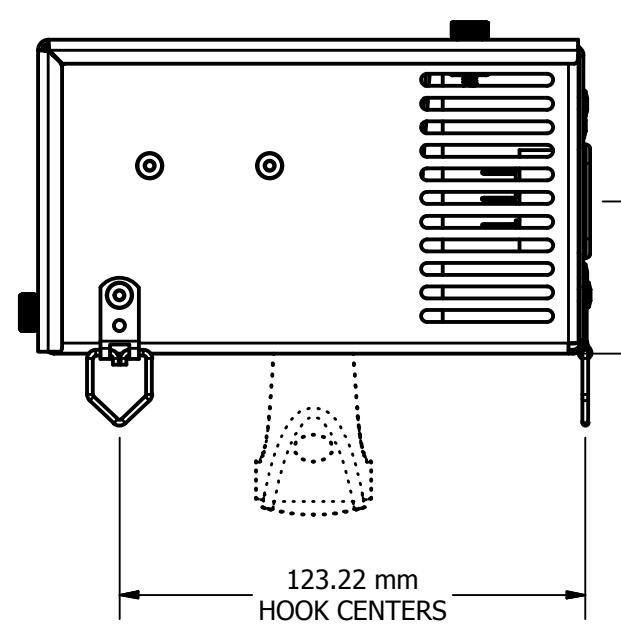
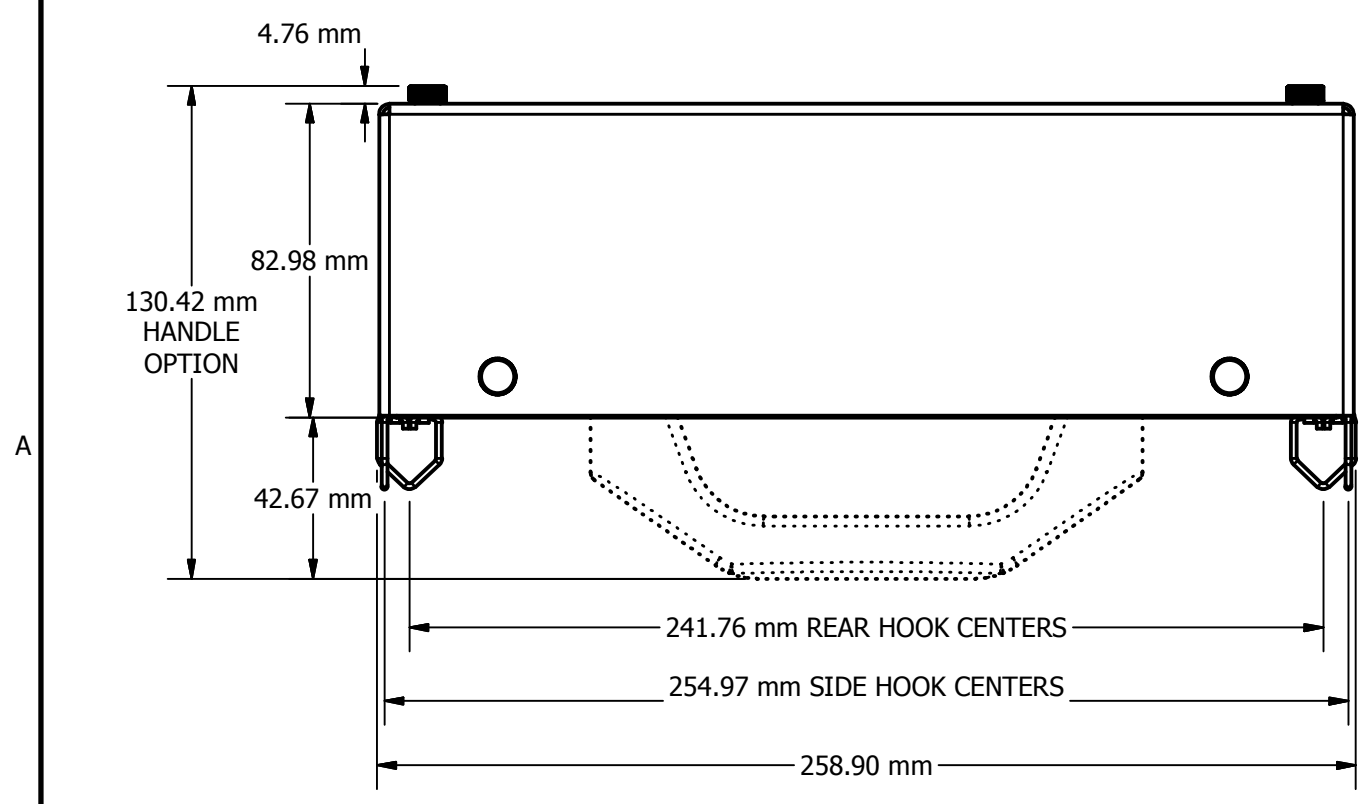
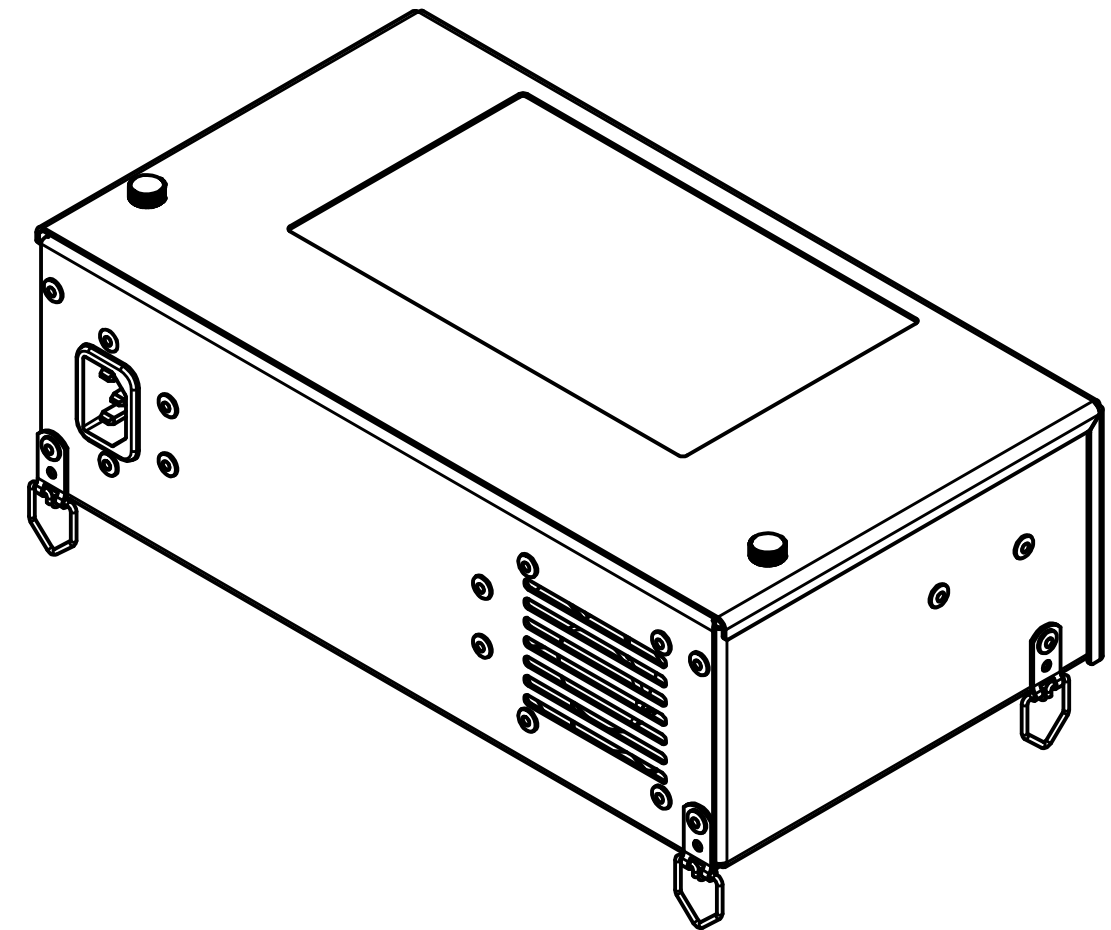
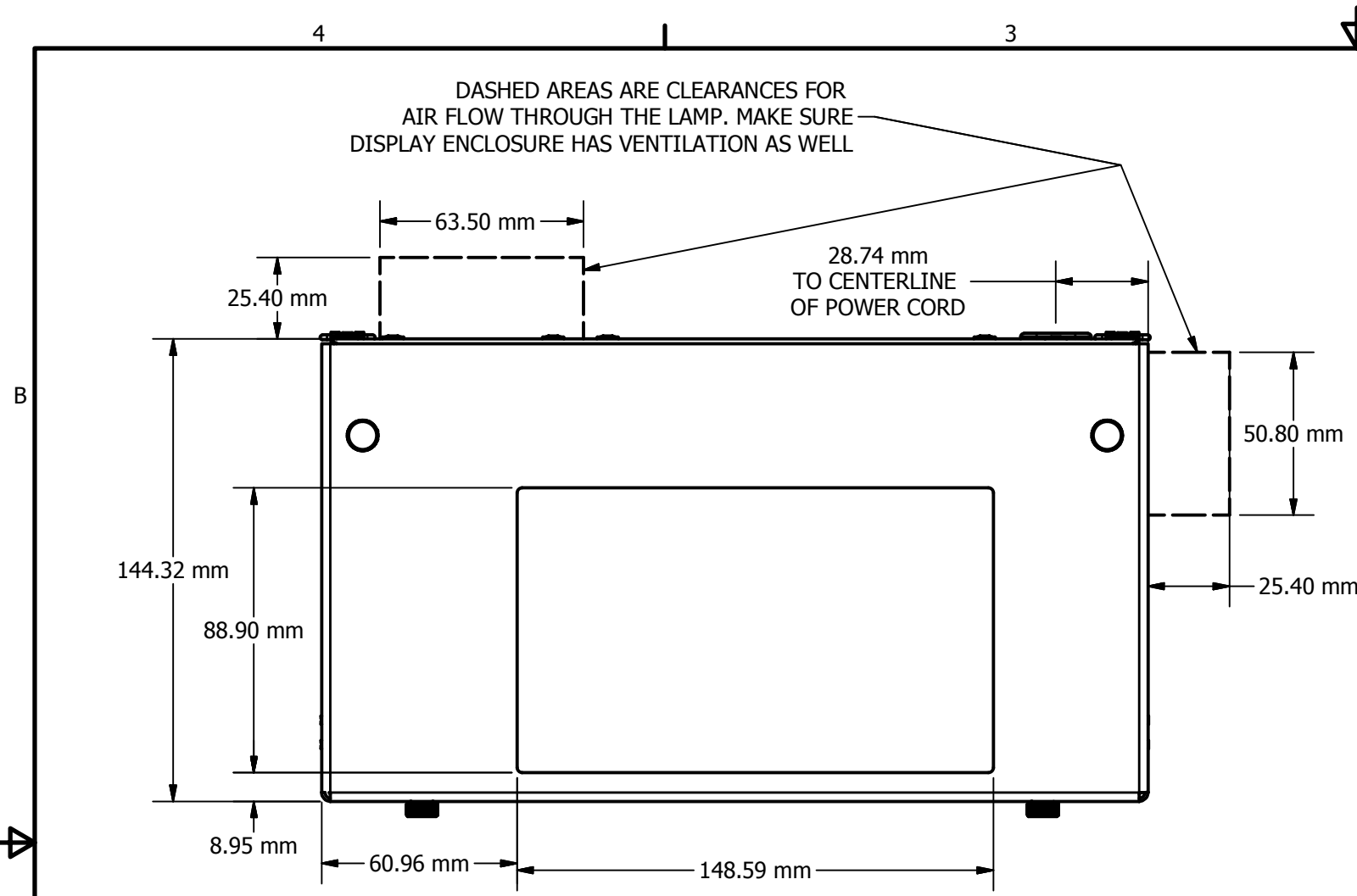


DASHED AREAS ARE CLEARANCES FOR AIR FLOW THROUGH THE LAMP. MAKE SURE DISPLAY ENCLOSURE HAS VENTILATION AS WELL



DRAWN Nick Brown	5/12/2020	Engenious Designs	
CHECKED Rhett Peterson		TITLE	
SCRPN CUSTOMER DRAWING			
SIZE B	DWG NO SCRPN_CUST	REV 1	
SCALE 1:2			SHEET 1 OF 2

DASHED AREAS ARE CLEARANCES FOR AIR FLOW THROUGH THE LAMP. MAKE SURE DISPLAY ENCLOSURE HAS VENTILATION AS WELL



DRAWN Nick Brown	5/12/2020	Engenious Designs	
CHECKED Rhett Peterson		TITLE	
SCRPN CUSTOMER DRAWING			
SIZE B	DWG NO SCRPN_CUST	REV 1	
SCALE			SHEET 2 OF 2