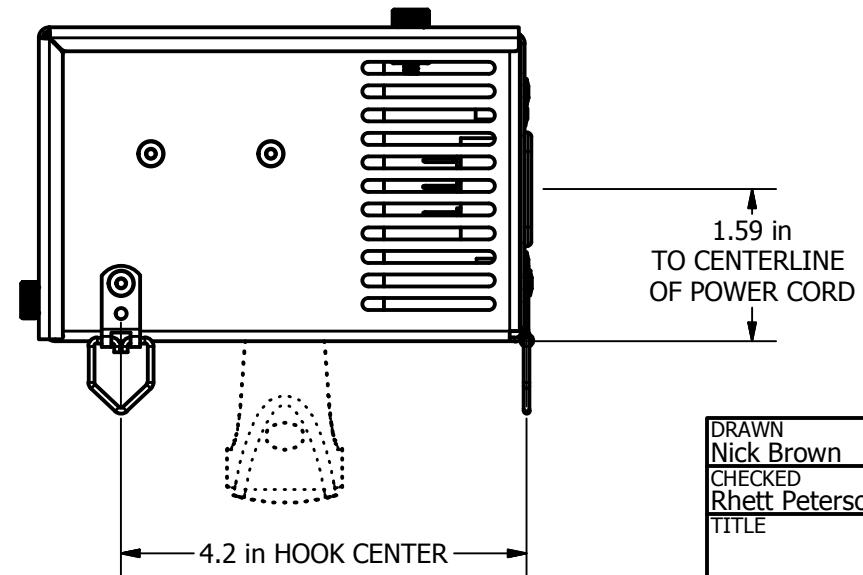
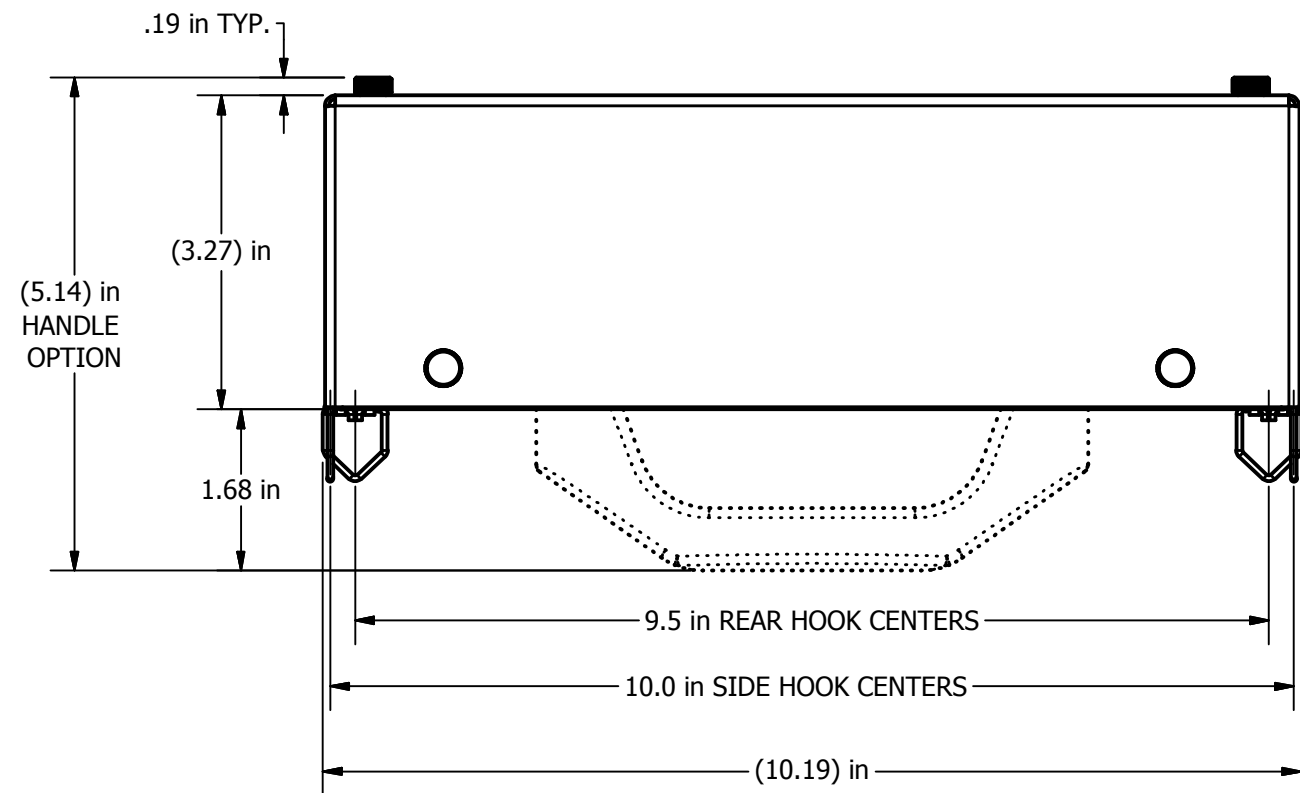
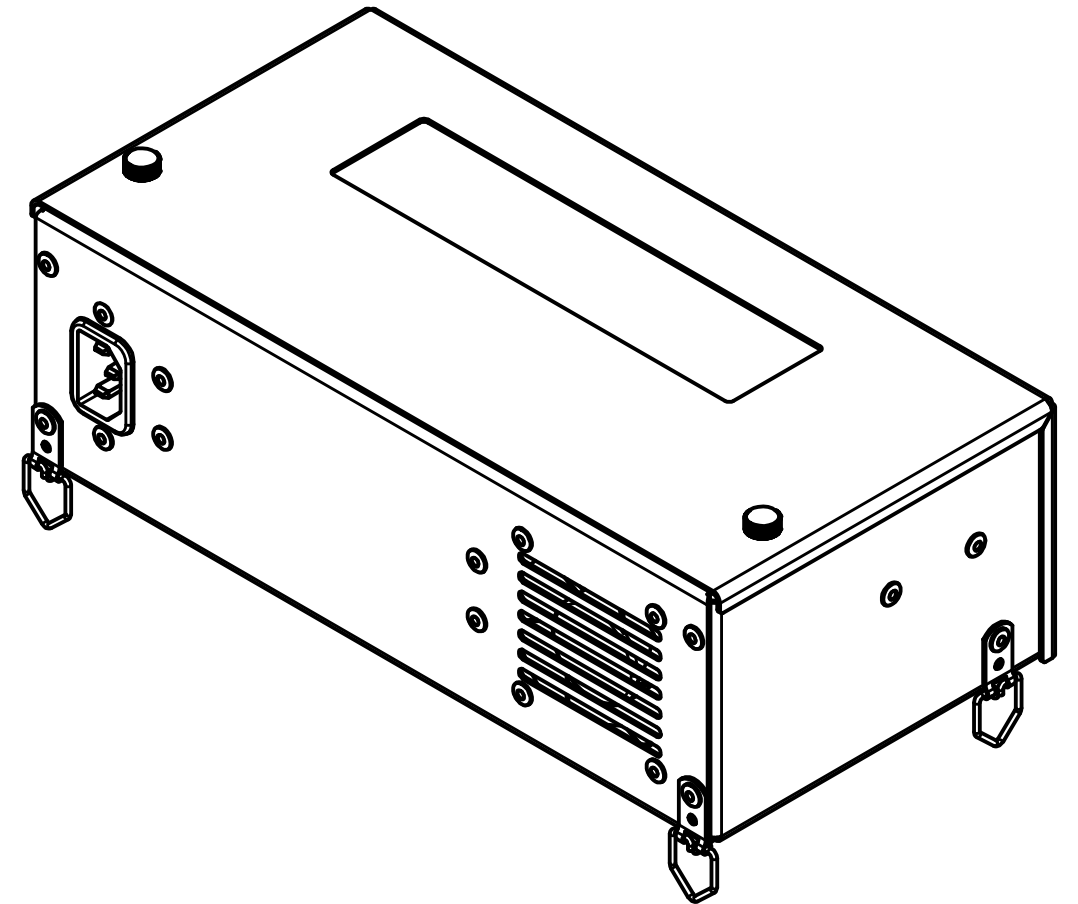
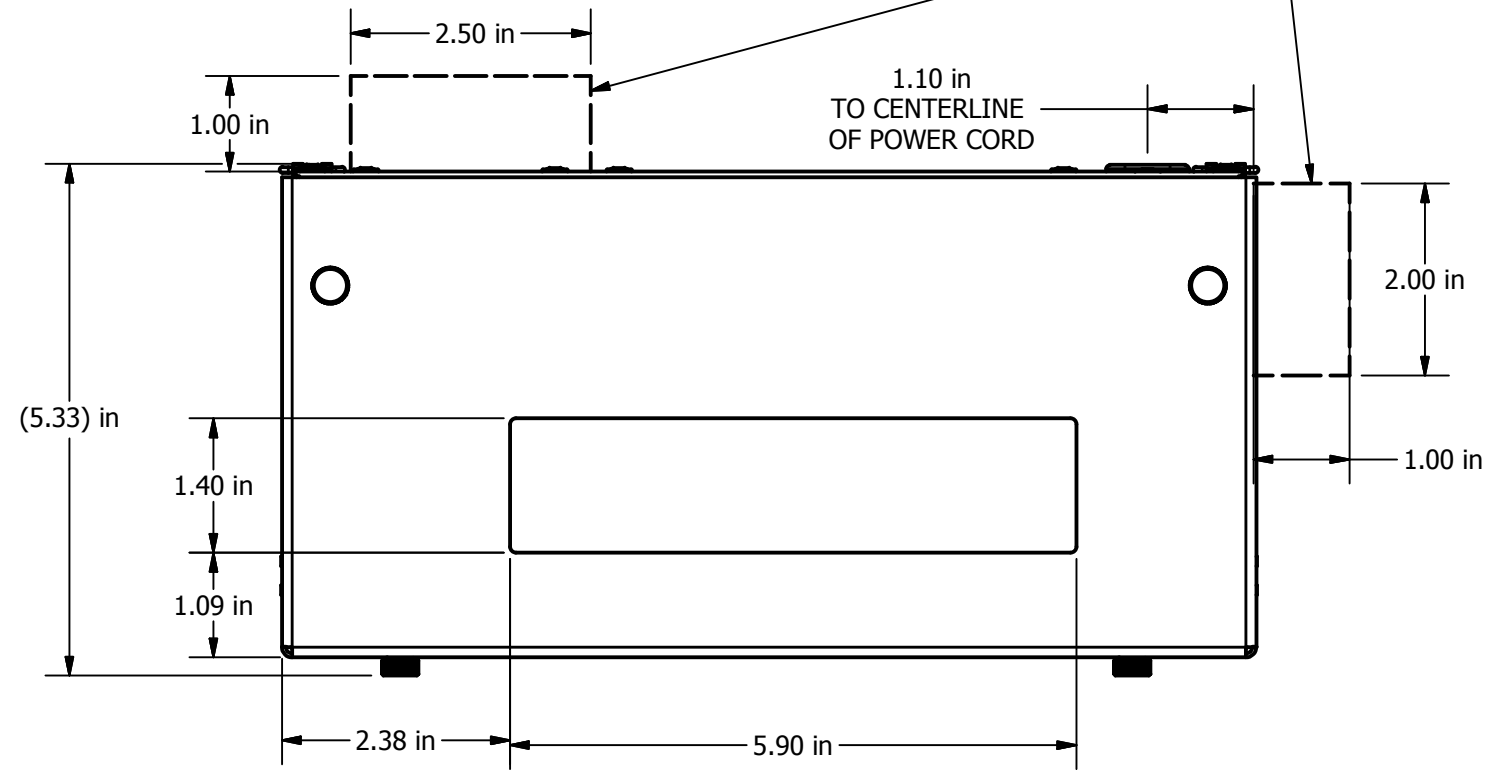
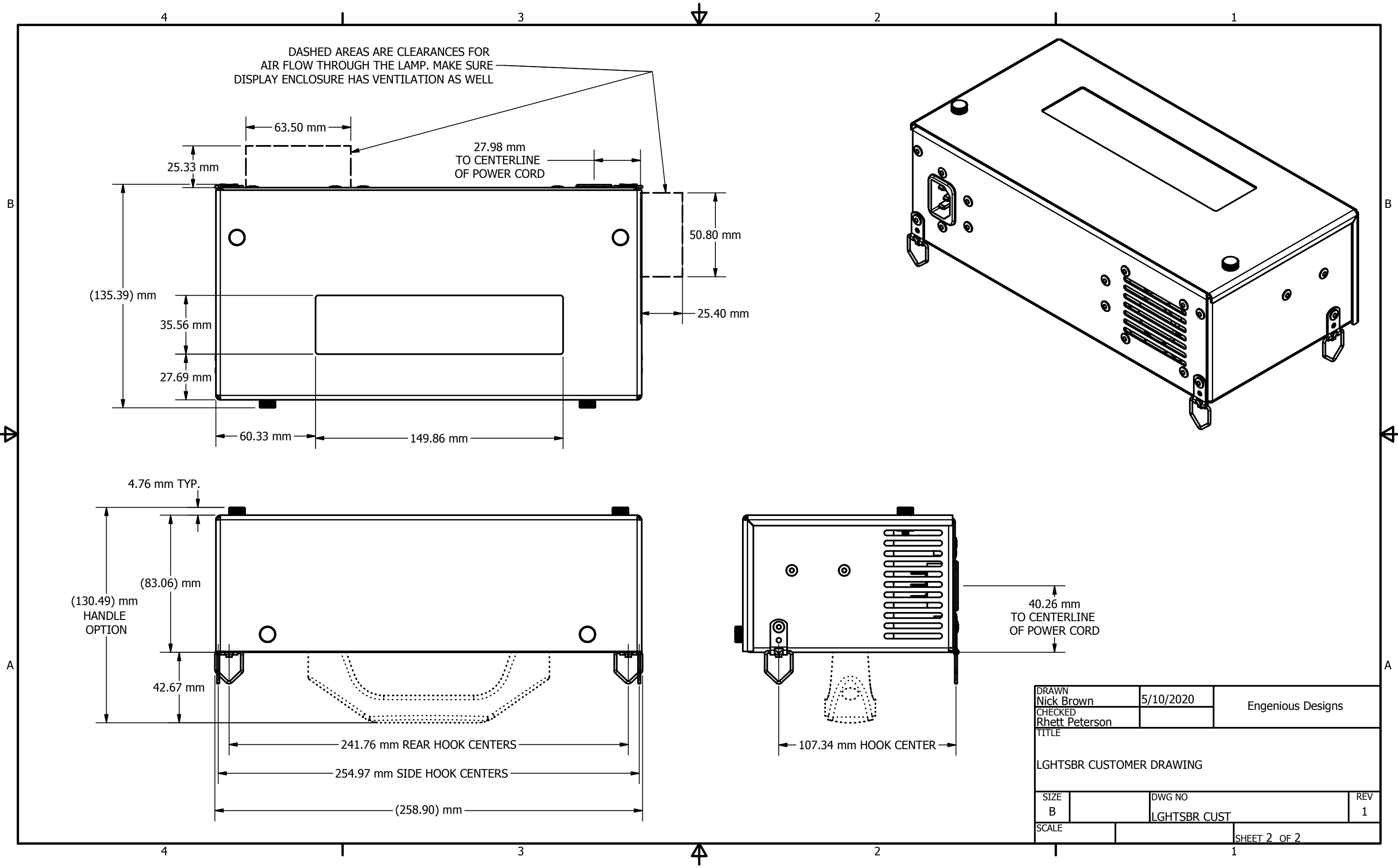


DASHED AREAS ARE CLEARANCES FOR AIR FLOW THROUGH THE LAMP. MAKE SURE DISPLAY ENCLOSURE HAS VENTILATION AS WELL



DRAWN Nick Brown	5/10/2020	Engenious Designs	
CHECKED Rhett Peterson		TITLE	
LGHTSBR CUSTOMER DRAWING			
SIZE B	DWG NO LGHTSBR CUST	REV 1	
SCALE 1:2			SHEET 1 OF 2



DRAWN Nick Brown		5/10/2020		Engenious Designs	
CHECKED Rhett Peterson					
TITLE LGHTSBR CUSTOMER DRAWING					
SIZE B	DWG NO LGHTSBR CUST		REV 1		
SCALE				SHEET 2 OF 2	